

Vfence™

Cut out Instructions

Do not cut out more wires than are needed to fit each line through Vfence™.

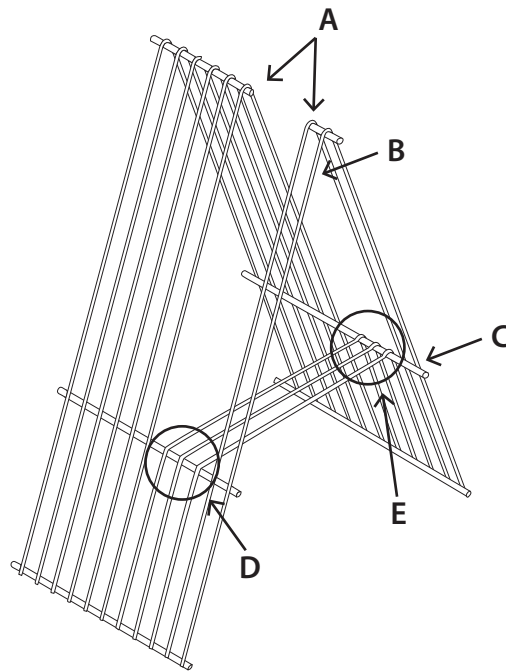
Water Lines (Lower cut outs)

Step 1 – Cut wires at points: **A – B – C**

Step 2 – Bend wires at point: **D**

Step 3 – Bend excess length down & in* at point: **E**

*Be sure sharp ends are tucked in.

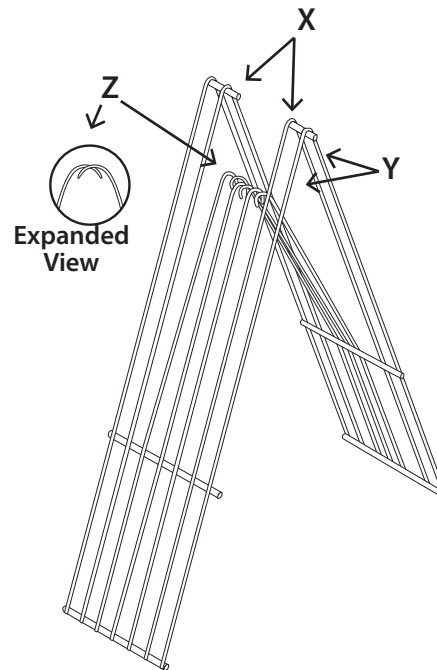


Feed Lines (Higher cut outs)

Step 1 – Cut wires at points: **X – Y**

Step 2 – Bend wires at point: **Z** (See expanded view)

*** Take end of wires with pliers and bend toward middle and down. Should look like lacing your fingers together. Bottom of tube will rest on bent wires and no sharp wire ends should stick out.*



Gate

Step 1 – Insert gate over rods as illustrated below.

